



The Right Light

MAJOR O.R.

NEW

APEX

PERFORMANCE RELIABILITY VALUE



When your healthcare facility requires surgical lighting, Philips Burton's new Apex is your best choice for brilliance and remarkable value.

PHILIPS
burton



APEX

*Your choice for no-drift positioning
and exceptional performance.*

Reliable operation, simplicity and ease of use are the hallmarks of every Philips Burton product, and the new Apex is no exception. For maximum illumination (120,000 lux/11,148 fc at one meter), the highest quality no-drift arm system, reliability and true color rendering, there is no better value than Philips Burton's Apex. Plus, an efficient multi-bulb design eliminates the need for complicated back-up bulb systems used in single source lights.



PHILIPS
burton



APEX FEATURES:

- > High intensity of 120,000 Lux (11,148 footcandles) at 1 meter
- > 4200 Kelvin color temperature offers pure white illumination (without blue hues)
- > 24" (60.96 cm) diameter lighthead
- > Unlimited arm rotation
- > Focuses with center autoclavable handle for exceptionally smooth focus
- > Supplied with control box including on/off switch, and continuous intensity adjustment
- > Durable, aesthetic arm system that is recognized for drift-free, trouble-free operation
- > 120V model standard, 100V and 230V models available
- > 5-year warranty
- > Assembled in the USA

Durable, aesthetic arm system that is recognized for drift-free, trouble-free operation

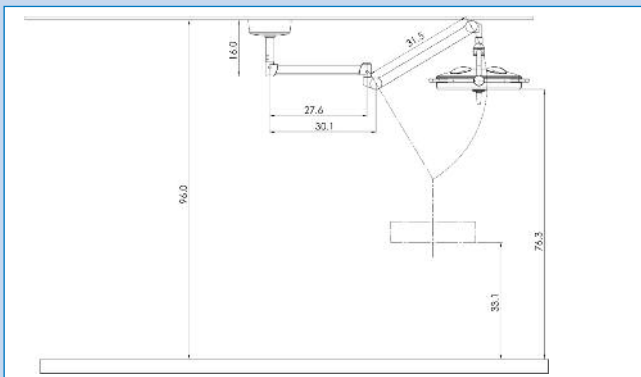
Unlimited arm rotation



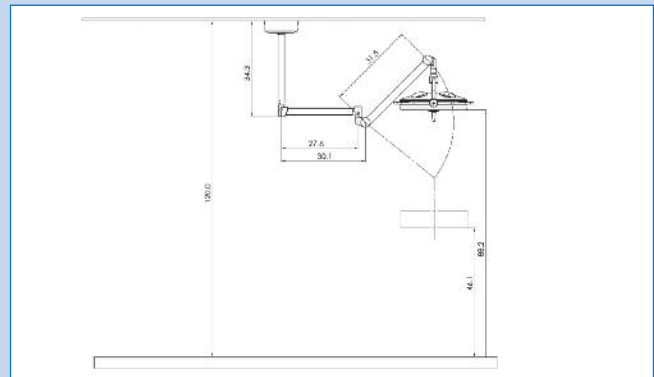
4200 Kelvin color temperature offers pure white illumination (without blue hues)

Focuses with center autoclavable handle for exceptionally smooth focus

APEX RANGE OF MOTION



APEX 8-FT.



APEX 10-FT.

Compare and you will choose
Philips Burton's APEX



APEX TECHNICAL SPECS

Illuminance (Lux @ 1 meter):	120,000
Color Temperature (Kelvin):	4200
Diameter of lighthouse:	24 inches (60.96 cm)
Light field:	8 inches - 10 inches (20 cm - 25 cm)
Depth of field without refocusing:	17 inches (43 cm)
Focusing:	Adjustable using center handle
Dimming:	Continuous dimming (not discrete) from control panel
Head Movement:	Unlimited (continuous) rotation +/- 70° tilt
Sterilizable handle:	Sterilizable handle locks into position with one hand
Number of bulbs:	4
Light sources (halogen):	50 watts, 24 volts; wired in parallel for continuous light output
Rated life of halogen lamp:	1400 hours
Heat emission:	Significantly below IEC recommended limit of <10W/m2 at highest intensity
Heat on lighthouse cover:	Unique internal heat shields ensure that heat is significantly low
Swivel radius of lamp housing-ceiling mounted:	54 inches (137 cm) to center of lamp head
Height adjustment of lamp housing-ceiling mounted:	30 inches (80 cm)
Recommended ceiling height:	10 feet
Control Box Model Option:	Wall-mounted control box measures 6" x 5" x 2-1/2" (l x h x d) and includes on/off switch
Power:	237 watts
Safety standards:	UL60601-1 / IEC 60601-1 / IEC 60601-1-2 / IEC 60601-2-41 MDD 93/42 EEC (CE Approved) CAN/CSA C22.2 No. 601.1
Mounting options:	Single ceiling, dual ceiling
Total weight:	Single: 121 lbs. (55 kg); double: 226 lbs. (102 kg)
Seismic calculations available:	Yes
Battery option/emergency electrical power:	Yes
Bulb change mechanism:	Tool-less entry from reverse of light head
Product warranty:	5 years parts and labor
Applications:	Operating Room, Emergency Room, Trauma Center, Surgery Center, LDR, Cath Lab, Outpatient Surgery, Plastic Surgery, Ophthalmology & Surgery Suites
Accessories:	Control Panel, Apex bulbs, sterilizable handles and sterile handle covers are available for purchase. Contact Burton for more information.
Origin:	Manufactured by Philips Burton's ISO 13485 Certified facility in Chatsworth, CA USA
EU Status:	CE marked

1. Apex	2. Select Model	3. Input Voltage
<input type="checkbox"/> APX	<input type="checkbox"/> DC8 - Double Ceiling Mount, 8 FT <input type="checkbox"/> SC8 - Single Ceiling Mount, 8 FT <input type="checkbox"/> DC10 - Double Ceiling Mount, 10 FT <input type="checkbox"/> SC10 - Single Ceiling Mount, 10 FT	<input type="checkbox"/> BLANK - 120V (Default) <input type="checkbox"/> 01 - 100V <input type="checkbox"/> 25 - 230V
Example: APXSC825 = Apex Single Ceiling Mount, 8 FT, 230V Model		

BURTON MEDICAL
An ISO Certified Company
21100 Lassen Street
Chatsworth, CA 91311
USA
Phone: 800-444-9909, 818-701-8700
Fax: 800-765-1770, 818-701-8725
www.burtonmedical.com

PHILIPS
burton

The Right Light