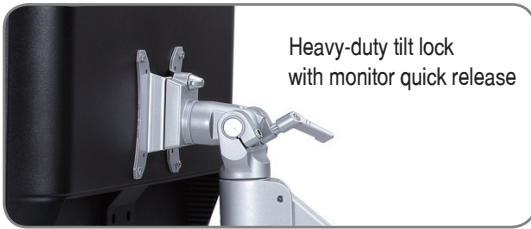
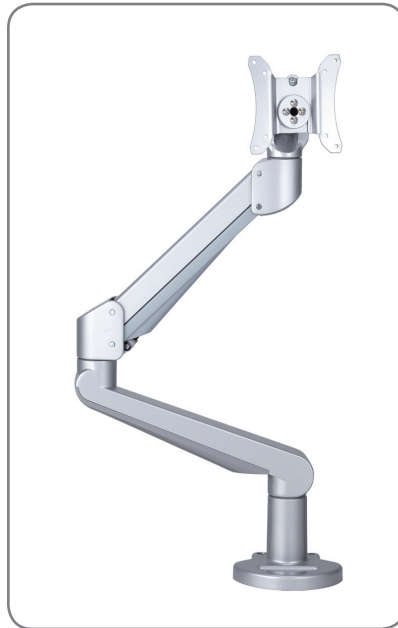


# EDGE-MAX **NEW!**

## EDGE-MAX Single Monitor Arm



This heavy-duty version of the EDGE supports monitors from 17.6 - 44 lbs. with smooth and effortless height adjustment.



### Features

Height Adjustment Range: 9" - 23" (14" total)

Monitor Extension: 22.4"

Weight Capacity: 17.6 - 44 lbs.

Monitor Tilts: +85/-35°

Monitor Rotates: 180°

360° rotation at 3 points

VESA 75mm and 100mm compatible

- VESA 100x200 plates are also available

Available with both Desk Clamp & Grommet Mount

List Price

Silver	<b>EDGE-MAX</b>	<b>\$459</b>
--------	-----------------	--------------

EDGE2-MAX-KIT available to convert an existing EDGE-MAX single monitor arm to an EDGE2-MAX dual arm configuration - \$221