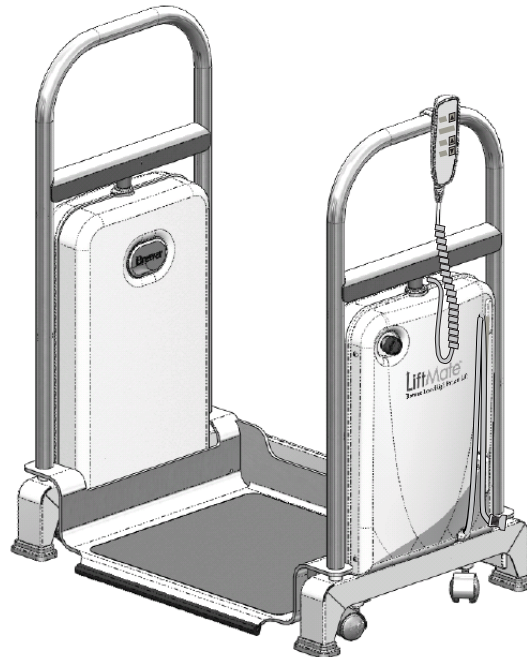


LiftMate™

Brewer Low/High Patient Lift

Installation & Operation Manual

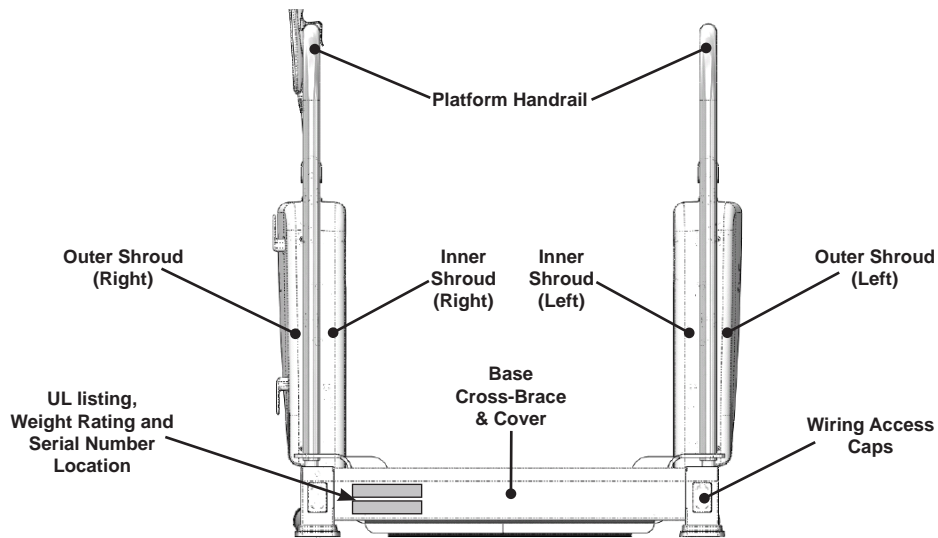
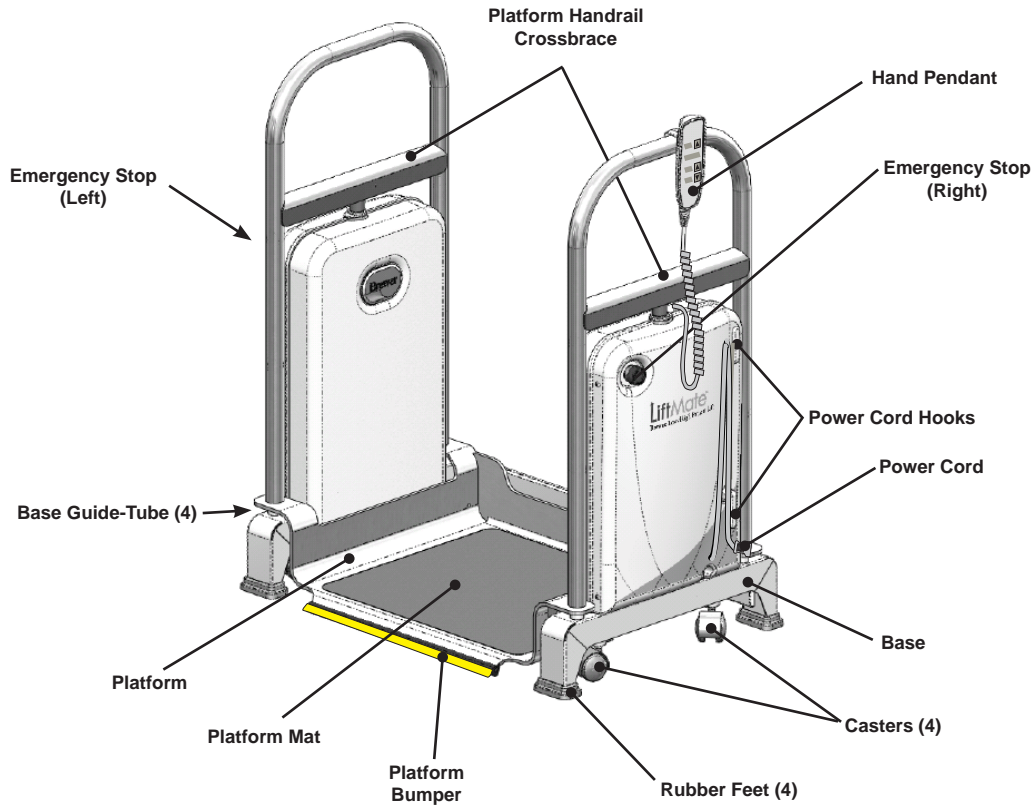


<i>Component Identification</i>	2	<i>Installation</i>	6
<i>Important Information</i>	3	<i>Operation</i>	8
<i>Specifications</i>	4	<i>Maintenance</i>	11
<i>Safety Information</i>	4	<i>Troubleshooting</i>	11
<i>Electrical Requirements</i>	5	<i>Service Parts</i>	14
		<i>Limited Warranty</i>	15

Brewer

The Brewer Company, LLC
 N88 W13901 Main Street, Suite 100
 Menomonee Falls, WI 53051
 P 1.888.Brewer.1
 F 262.251.2332
www.brewercompany.com

COMPONENT IDENTIFICATION



Rear View
Figure 1. Component Overview

IMPORTANT INFORMATION

General

The Brewer LiftMate Patient Lift is designed to safely assist patients onto and off of exam tables, beds and other medical devices without the need for manual lifting. The LiftMate is to be operated by qualified medical professionals trained in its use. Read and understand all operating instructions, safety information, and maintenance requirements contained in this manual prior to operating the LiftMate. Become familiar with all of the LiftMate's functions before using it with a patient.

The Brewer LiftMate Patient Lift is primarily used in examination rooms for safely lifting patients with mobility issues onto exam tables. The LiftMate is easily operated with a hand pendant. The platform height can be raised and lowered from 1" to 10".

The LiftMate is easily moved from room to room on casters. The casters are extended by the operator when moving the LiftMate is required. Casters are extended by pressing and holding the "Push And Hold To Move" button. Once the LiftMate is in the desired position, releasing the "Push And Hold To Move" button will cause the casters to retract. When the casters retract the LiftMate will be lowered, and rest on four rubber feet for stability. **NEVER ALLOW THE PATIENT ONTO THE LIFTMATE WITH THE CASTERS EXTENDED.**

Once the casters have retracted and the LiftMate is resting on all four feet, the patient may then step onto the platform. The patient then turns around so his/her back is toward the table. Once the patient is secure, the operator can then raise the patient to a height where he/she can be seated. The operator can then either extend the casters to roll the LiftMate away from the table, or LiftMate may be left in place depending on the type of exam and physician's preference.

When the examination is complete the LiftMate can be rolled back into position. Once the casters have retracted and the LiftMate is resting on all four feet, the platform can be raised to a height that is comfortable for the patient to step onto the LiftMate platform. **NEVER ALLOW THE PATIENT ONTO THE LIFTMATE WITH THE CASTERS EXTENDED.** Once the patient is on the LiftMate the platform can then be fully lowered allowing the patient to easily step back onto the floor.

To provide untethered mobility the LiftMate can be operated via battery power. However it is recommended that the LiftMate be plugged into a 120VAC wall receptacle whenever possible to maintain optimal battery power and life. Note: only plug the LiftMate into a receptacle capable of providing a minimum of 4 amps of current. Some pieces of medical equipment having auxiliary receptacles are not capable of providing enough power and will result in blown fuses. See the "Battery" section of this manual for more information on getting the most out of your LiftMate battery.

Service

If you require assistance with the installation or operation of your Brewer LiftMate Patient Lift, call the Brewer Customer Service Department at **1-888-Brewer1 (1-888-273-9371)**. Our trained staff will attempt to assist you in correcting the problem directly over the phone. If service is required, a factory authorized technician will be sent to your location.

Please fill in the following information for use when calling the Brewer Company or your distributor with questions regarding your unit. See Figure 1 for model and serial number location.

Date of Purchase _____

Serial Number _____

Model Number _____

Authorized Dealer Name _____

Dealer Phone Number _____

Dealer Address _____

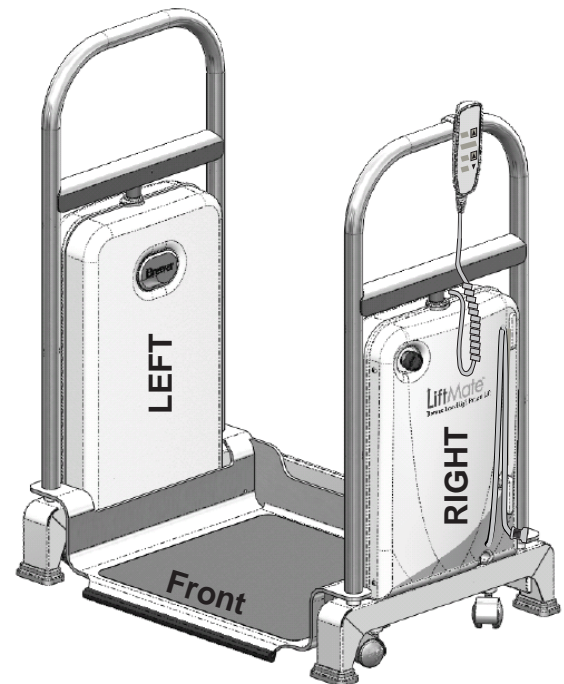



Figure 2. LiftMate Orientation

Orientation

Left and right orientation on the LiftMate are designated by how the patient approaches the unit to step onto the platform. Front is the entry area, and back is the area that is positioned against the exam table. See Figure 2.

SPECIFICATIONS

Weight of LiftMate..... 105 lbs.
 Load Rating (maximum):
 - Platform..... 500 lbs.
 - Platform Range 1.0 to 10.0 in.
 LiftMate Dimensions:
 Platform Width (Inside)..... 21 3/8 in.
 Platform Depth (Inside)..... 18 1/4 in.
 Distance Between Inner Shrouds..... 24 1/4 in.
 Distance Between Platform Handrails (Inner Surfaces) 28 in.
 Width Between Outer Shrouds..... 34 3/4 in.
 Base Width (Outer)..... 31 3/4 in.
 Base Depth (Outer) 21 1/2 in.
Mat Dimensions
 Width 19 1/2 in.
 Width 17 in.
Caster Dimensions
 Diameter..... 2 in.
 Width 2 in.
Electrical Specifications
 115 VAC nominal, 60 HZ, 4 amps max.


Power Cord..... Extends 10 ft. from unit.
 18 AWG / 3 conductor, SJT grey jacketed with hospital plug
Type of protection against electrical shock
 Class..... Class II Double Insulated
 Type of protection against electrical shock 
 B Applied Parts
Certifications*
 UL60601-1; IEC60601-1; CAN-CSA C22.2 No. 601.1
Battery Specifications
 Type.....Sealed Lead Acid Storage
 Charging.....Battery is charged through Control Box only
 Temperature (Ambient Operating) 41°F to 104°F
 Output..... 24 V DC, 10A
Duty Cycle.... 2 minutes on/18 minutes off (motor run time)
Operating Conditions
 Temperature Range.....65°F to 85°F
 Relative Humidity..... 10% to 90%
Transportation and Storage
 Temperature Range.....-20°F to 150°F
 Humidity..... 10% to 90%

SAFETY INFORMATION

Safety Information


The primary concern of The Brewer Company is that the equipment is operated and maintained with the safety of the patient and healthcare staff in mind. To ensure safe and reliable operation:

- Read and understand all instructions in this manual before attempting to install or operate the unit.
- Ensure that appropriate personnel are informed on the manual contents. This is the responsibility of the purchaser.
- Ensure that this manual is located near the LiftMate, or if possible permanently affixed to the unit.

Failure to follow instructions with this symbol  could result in serious personal injury and/or damage to the unit.

 **DANGER** indicates an imminently hazardous situation which, if not avoided, will result in death or serious injury.

 **WARNING** indicates a potentially hazardous situation which, if not avoided, could result in death or serious injury.

 **CAUTION** indicates an imminently or potentially hazardous situation which, if not avoided, may result in serious injury and/or equipment damage.

ELECTRICAL REQUIREMENTS

⚠ WARNING

- Do not perform any procedures while patient is on the LiftMate.
- Use 115 VAC, 60 Hz as noted on the rating label. Failure to do so may result in electrical shock to personnel and will result in damage to the LiftMate.
- Do not use the LiftMate in an explosive or oxygen enriched atmosphere. Failure to do so may result in serious personal injury or death.
- Charging the battery with any device other than through the Control Box on the unit may result in serious personal injury, damage to other LiftMate components, and/or premature failure of the battery.

⚠ CAUTION

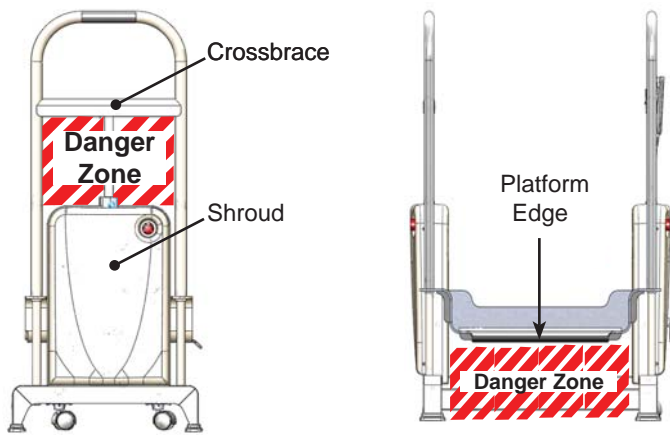
- Do not use any power supply other than that listed on the rating label. Failure to do so may result in serious injury and/or equipment damage.
- This product has been evaluated with respect to electrical shock, fire, and mechanical hazards only in accordance with UL60601-1; IEC60601-1; CAN/CSA C22.2 No. 601.1

Electromagnetic Interference

This product is designed and built to minimize electromagnetic interference with other devices; however, if interference is noticed between another device and this product, remove the interfering device from the room or plug this product into an isolated circuit.

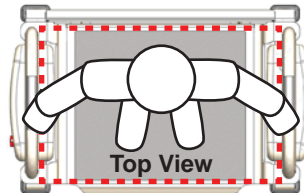
⚠ WARNING Never place any body parts between the Handrail Crossbrace and Shrouds, or under the front edge of the Platform.

Both views show platform raised



⚠ WARNING Please observe the following warnings (continued).

- Patient must stand in the center of the platform during the lift procedure. Never lean forward, backward or sideways beyond the area indicated by the dashed line.



- Do not allow more than one person on the LiftMate at a time.
- Ensure that the back of the LiftMate is pushed as close to the exam table as possible.
- Make sure that all exam table drawers, stirrups, attachments or other protrusions are pushed in to prevent damage.

Children, Caregivers and Untrained Personnel:

- Anyone not trained in the safe use of the LiftMate must not be allowed to operate it.
- Ensure that children and others are clear of the LiftMate at all times whether it is being operated or not.
- Never allow the patient to operate the LiftMate at any time.

Special Patient Situations:

- The LiftMate must not be used by patients to pull themselves up out of a wheelchair or walker.
- Do not use the LiftMate for patients that are unable to support their own weight.
- Never exceed LiftMate's maximum capacity of 500 lbs.

General: Please observe the following consideration.

- LiftMate must not be used to transport anything including patients.
- If battery fails while casters are up or down, plug into receptacle to recharge.

(Cautions on next page)

⚠ WARNING Please observe the following warnings.

Patient and Operator: Ensure that loose clothing, buttons, jewelry or other such items that can snag onto the LiftMate are kept clear of catch points

Patient:

- Never put a patient on the LiftMate while casters are extended.
- Patient should only get on or off of the LiftMate when all four base feet are firmly on the ground.
- Do not allow patients to pull themselves up by using any part of the LiftMate.

⚠ CAUTION Please observe the following cautions.

Patient:

- Never engage casters while patient is on the LiftMate.
- Always use the top center of the handrails for holding onto the LiftMate while getting on/off, or being raised or lowered.
- Patients must use caution when stepping up to get onto the platform to avoid tripping.
- When patient is on table, ensure that the platform is lowered below patient's feet before moving unit back to the table for dismounting.
- Patient must be facing away from the exam table and holding onto the LiftMate's handrails before raising the platform.
- Lower platform when not in use to minimize risk of inadvertent contact and possible leg injury.

Special Patient Situations: Walkers and canes may be used to get onto the LiftMate, but must not be used during lifting and lowering.

Power Cord: Always wind up power cord when not in use and during transport of LiftMate.

INSTALLATION

Unpacking

NOTE: Inspect all boxes and contents for damage. Report any damage to the carrier immediately.

⚠ CAUTION

- To avoid damaging the LiftMate's plastic or painted surfaces, **DO NOT** use a knife or other sharp object to open the packaging.
- Lift only at points indicated in Figure 3. Do not lift at other points.
- Do not plug LiftMate into receptacle prior to removal of all packaging materials.

⚠ WARNING

The LiftMate weighs approximately 105 lbs. Two or more people should assist in removing the LiftMate from the shipping skid. Also, use proper lifting techniques when lifting. Failure to do so could result in serious injury.

⚠ CAUTION

Do not lift LiftMate at any point other than the lift points indicated in Figure 3. Do not lift by shrouds, power cords, or hand pendant cords. Serious damage to the LiftMate, or personal injury may occur if attempting to lift unit at an undesigned lift point.

1. Cut and remove banding from shipping carton.
2. Remove lid.
3. Separate and remove the two carton halves.
4. Remove foam packing blocks.
5. Remove plastic bags from platform handrails.
6. LiftMate weighs 105 lbs. Use two or more people to lift unit from lower carton tray. Use caution to not catch rubber feet on anything that may cause them to detach.

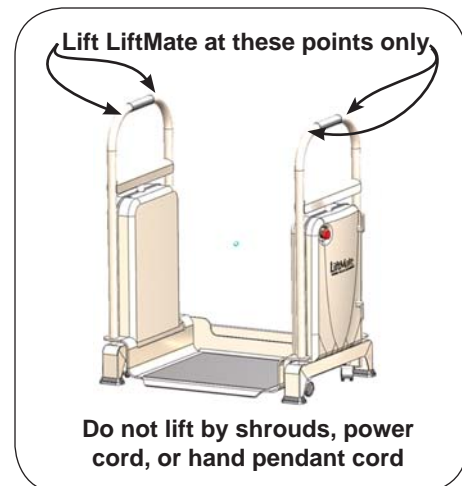


Figure 3. LiftMate Lift Points

INSTALLATION (Continued)**Getting the Most from the LiftMate Battery**

NOTE: The LiftMate has protective circuitry to prevent the charge from draining to excessively low levels. Keeping the battery charged will ensure optimal service, while extending battery life to its fullest.

1. When the charge in the LiftMate battery drops to a preset level the "LOW BATTERY" indicator light on the hand pendant will flash and the unit will beep when the any button is pushed. Plug LiftMate into a wall receptacle as soon as possible to recharge the battery.
2. When the charge in the LiftMate battery drops to a level that will cause battery life to shorten if use continues, all functions will stop. The unit will beep, and a steady indicator light on the hand pendant will appear if any hand pendant button is pushed. Plug LiftMate into wall receptacle to enable functions and recharge battery.
3. Always use a replacement battery from Brewer. Never use any other battery which could cause damage to the unit or improper operation.
4. When not using the LiftMate, always keep the unit plugged into a wall receptacle to keep the battery charged. Leaving the unit unplugged for an extended period of time (i.e. several months) will allow the battery to discharge, causing premature battery failure.

LiftMate Battery Disposal **CAUTION**

- Do not disassemble the LiftMate battery.
- Please dispose of the LiftMate battery according to your local regulations for lead-acid storage batteries.

OPERATION

General

⚠ DANGER
Do not use the LiftMate in an explosive or oxygen-rich atmosphere. To do so will result in an explosion or fire.

⚠ WARNING
If the LiftMate malfunctions, immediately remove your hand from the controls, press one of the “Emergency Stop” buttons, unplug the power cord from the electrical receptacle, and assist the patient from the unit. If LiftMate continues to malfunction, call for service. Do not attempt to repair LiftMate yourself.

⚠ WARNING
Keep personnel and equipment clear of LiftMate before initiating movement to avoid personal injury or damage to the equipment.

⚠ CAUTION
The hand pendant is moisture resistant and runs on low voltage, eliminating shock hazards. However, to avoid temporary or permanent damage to the hand pendant, do not immerse in water or liquids.

⚠ CAUTION
Keep foreign objects away from hand pendant. To avoid accidental operation, be sure the hand pendant is NOT positioned between the LiftMate and any other object. Failure to do so could result in unwanted motion and possible injury to patient or operator, or damage to LiftMate or exam table.

NOTE: For optimum LiftMate performance, allow the unit to reach room temperature before operating.

NOTE: The LiftMate is not designed for continuous operation. The control system includes a thermal overload safety switch to protect from overheating. If the unit is operated continuously causing the control to exceed its allowable operating temperature, the thermal overload safety switch will shut off. If normal operation ceases, do not attempt to operate the unit. Allow the unit to cool for 10-15 minutes before attempting to use again. The thermal overload switch will automatically reset when it has reached a safe operating temperature.

NOTE: Each control function will automatically stop moving when either the UP or DOWN travel limit is reached. If the hand pendant is pressed with travel at its limit, the actuator will not operate. Sensors prevent the actuator motor from operating when travel limit has been reached, preventing wear of the actuator.

OPERATION (Continued)

Moving the LiftMate

The LiftMate moves about easily on four extendable/retractable casters.

To extend casters depress the “PUSH AND HOLD TO MOVE” button on the hand pendant. See Figure 4. Casters will extend allowing the LiftMate to be moved to the desired location. The button must be held to keep casters extended. Releasing the “PUSH AND HOLD TO MOVE” button will cause casters to retract, lowering the LiftMate onto the four base feet providing a stable unit for the patient to step onto.

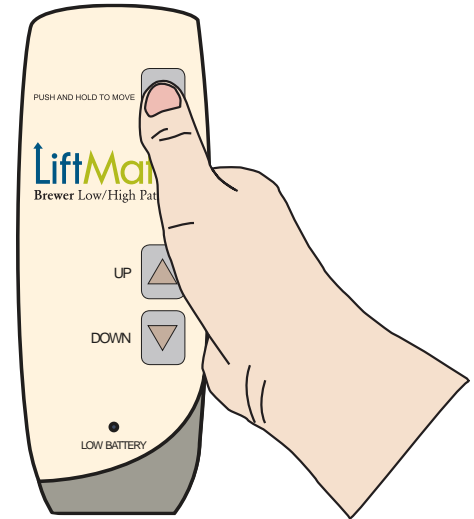


Figure 4. Caster Extend/Retract Button

CAUTION

- Do not lower LiftMate onto wet, or slippery surfaces, or onto objects that may cause imbalance
- Make sure operator and patients feet are clear of unit before lowering.
- Make sure path of travel is free of obstructions that may cause unit to tip.

**Patient Handling with the LiftMate
(Positioning the LiftMate and raising the patient)**

1. Extend casters. Figure 5.
2. Position the back of LiftMate against foot end or side of exam table. Figure 6.
3. When in position allow casters to retract by releasing the button.
4. Assist patient by having them walk forward onto LiftMate platform.
5. Once patient is on LiftMate assist them in turning around so their back is toward exam table, and they are grasping the platform handrail. Figure 7.
6. Press “UP” on the hand pendant to raise patient to the height that is best for seating them. Figure 8.
7. Seat patient onto exam table.
8. Platform may be left in the “UP” position. To lower platform press “DOWN” on the hand pendant, Figure 9 next page.
9. Note: LiftMate may be left in position at the foot end of exam table, or moved out of the way depending upon procedure or preference of clinician.

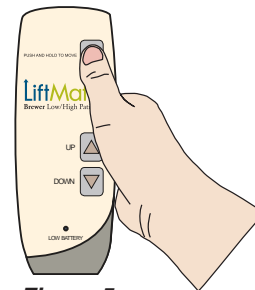


Figure 5.



Figure 6. Moving the LiftMate into position



Figure 7. Raising the patient on the LiftMate

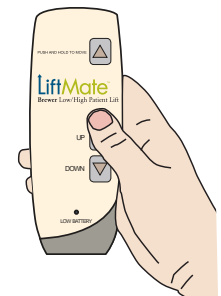


Figure 8.

OPERATION (continued)

**Patient Handling with the LiftMate
(Lowering the Patient)**

1. Roll the back of the LiftMate against foot end or side of exam table, depending on position of patient on the table.
2. Ensure patient's feet are clear of the platform and any portion of the exam table as it is raised.
3. Make sure the platform is raised by pushing the "UP" button, Figure 8.
4. Have patient slide forward to stabilize feet onto platform.
5. Patient can then come to a standing position on platform and grasp handrail.
6. Lower platform all the way down, Figure 9, and assist patient off of LiftMate.

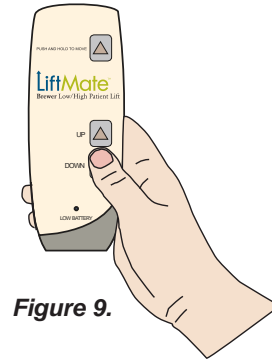


Figure 9.

Emergency Stops

Emergency Stops are located on the outer right-hand and outer left-hand Shrouds, Figure 10. In the unlikely event of unintended movement of the Platform, depressing the Emergency Stop, Figure 11, will cause all Platform movement to cease. Have a qualified technician inspect the unit prior to using. Rotating the Emergency Stop Switch clockwise, Figure 12, will reset it to normal operation. Note: The Emergency Stops only deactivate the Platform. The casters will still deploy with the Emergency Stop button depressed.

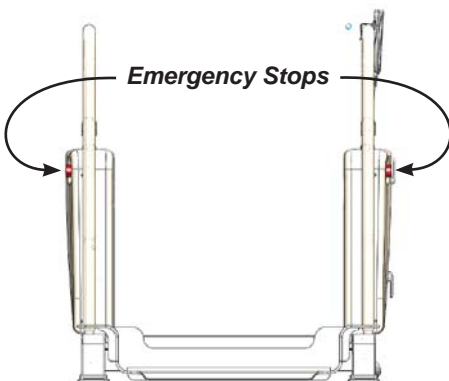


Figure 10. Emergency Stop Locations

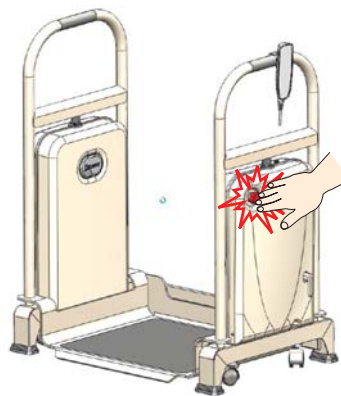


Figure 11. Activating the Emergency Stop

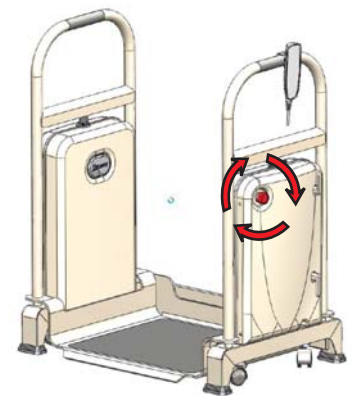


Figure 12. Resetting the Emergency Stop

MAINTENANCE

Preventative Maintenance

⚠ CAUTION

Failure to perform periodic inspections of the LiftMate could result in personal injury or equipment damage.

- Periodically inspect the electrical cord to ensure it is free of cuts or damage.
- Periodically inspect the electrical cord to ensure it is free of cuts or damage.
- Inspect the mechanical functions to ensure satisfactory operation.
- Ensure that cord hooks are not loose. Remove outer right shroud and tighten if necessary.
- Check shroud screws to make sure they are present and tightened securely.
- Check platform bumper for damage, and to ensure that it is secured to the edge of the platform. Reattach or replace as necessary.
- Make sure the covers located at the back of the platform when raised, are engaged with the guides, and move freely when the platform is raised up and down.

Cleaning

⚠ CAUTION

The shroud material is resistant to most medicinal type stains, but may be damaged by solvents and dyes. Remove any spilled fluids from the shrouds, painted surfaces or mat immediately.

- Clean the LiftMate weekly, wiping the painted metal and plastic surfaces with a clean, soft cloth. If desired, mild cleaners may be used.
- Clean the mat immediately after contact with any fluids or gels. Use a mild soap and rinse with clear water. Avoid the use of harsh chemicals as they can permanently damage the finish. To prevent mat from peeling do not allow it to remain wet.

TROUBLESHOOTING

Casters

All casters will not extend or retract. This may indicate a low battery condition. Pressing any function on the Hand Pendant will cause "Low Battery" light on Hand Pendant to illuminate, and beeping sound to occur. Charge battery. Note: plugging LiftMate into receptacle will resume all functions in a low battery condition. If this action does not resume functionality contact Brewer Customer Service at **1-888-Brewer1 (1-888-273-9371)**.

One caster will not extend or retract. Contact Brewer Customer Service at **1-888-Brewer1 (1-888-273-9371)**.

Casters are difficult to roll. Lay LiftMate onto its back on a carpeted or protective surface that will not damage the finish. Check casters for wear, debris or damage. Clean or replace as needed. See the Service Parts list for replacement kit number.

Casters causing marks on floor. Over time casters can get embedded with dirt redepositing it onto flooring. Lay LiftMate onto its back on a carpeted or protective surface that will not damage the finish. Clean casters with soap and water. Use a fine stiff wire brush with just enough force to remove dirt (use only if necessary). Use this opportunity to check casters for wear or damage. Replace as needed. See parts list for replacement kit number.

Troubleshooting Continued...

TROUBLESHOOTING (Continued)

Platform

Platform will not raise or lower

- Battery low. Pressing any function on Hand Pendant will cause “Low Battery” light on Hand Pendant to illuminate and beeping sound to occur. Charge battery. Note: plugging LiftMate into receptacle will resume all functions in a low battery condition.
- Emergency Stop button(s) pushed in. Turn both Emergency Stop buttons clockwise to unlock. Retry raising or lowering platform.
- This may be due to lift actuators being out of sync. Reset LiftMate by performing the following steps. *Note: when pressing two buttons simultaneously to perform a reset they must be pushed at exactly the same time. It may take several attempts to initiate reset.
- If performing the above steps does not resume functionality contact Brewer Customer Service at **1-888-Brewer1 (1-888-273-9371)**.
- Press both the “UP” and “Down” buttons on the hand pendant simultaneously and hold for a 10 beep count emanating from the LiftMate. When the 10 beeps are complete, a second cycle of beeps with a longer pause between them will emanate from the LiftMate. It is during this second cycle of beeps that the LiftMate platform can be moved. Press the “Down” button on the hand pendant to ensure that it is lowering correctly. If it is lowering correctly bring platform to its lowest position. LiftMate lift actuators are now in sync. Double check by raising platform to its full up position.

Mobility

LiftMate will not roll

- Make sure to press and hold the “Push and Hold to Move” button on the hand pendant to keep casters extended for mobility.
- Battery low. Pressing any function on Hand Pendant will cause “Low Battery” light on Hand Pendant to illuminate, and beeping sound to occur. Charge battery. Note: plugging LiftMate into receptacle will resume all functions in a low battery condition.
- If performing the above steps does not resume functionality contact Brewer Customer Service **1-888-Brewer1 (1-888-273-9371)**.

TROUBLESHOOTING (Continued)

LiftMate Operates Only When Plugged In

- A. If the battery's ability to hold a charge has decreased over time, the battery requires replacement.
- B. If battery has suddenly failed without warning the battery may have become disconnected. Remove the left outer cover to check battery connection at the plug in jack. If the connection is tight, and the battery is still inoperable, replace the battery.

LiftMate Fails to Operate Even When Plugged In

Sudden failure of all functions is indicative of no power at the wall receptacle or failure of the control box. Plug a lamp or other device known to operate into the receptacle to ensure power is available. If no power is available plug LiftMate into wall receptacle proven to have power. Check to see if LiftMate functions resume operation. If problem persists, contact Brewer Customer Service at **1-888-Brewer1 (1-888-273-9371)** for a replacement control box.

Rubber Feet

The rubber feet are easily replaced. Lay LiftMate onto its back on a carpeted or protective surface that will not damage the finish. Replace feet onto ends of legs by pressing all the way on and hold. A slight bump will protrude from the center of the foot. Pushing this bump in will cause the conical shaped catch on the inside of the foot to hook into the receiving hole in the leg. If there is difficulty getting the catch to hook, a rounded device of sufficient diameter (3/16") or larger such as a ball end Allen wrench can be inserted into the hole and pushed in. **DO NOT USE A POINTED OR SHARP OBJECT SUCH AS A PHILLIPS OR FLAT BLADED SCREWDRIVER.** See the Service Parts list for replacement kit number.

Platform Mat

If the platform mat has become excessively soiled, worn or is peeling, replace with the Platform Mat Replacement Kit. See the Service Parts list for replacement kit number.

Platform Bumper

If the platform bumper has detached it can be pushed back onto the edge of the platform. If the bumper will not stay attached replace with the Platform Bumper Kit. See the Service Parts list for replacement kit number.

Other Troubleshooting

For all other troubleshooting please contact Brewer Customer Service at **1-888-Brewer1 (1-888-273-9371)**.

SERVICE PARTS

All kits include applicable hardware and step-by-step instructions.

Kit Name	Order Kit #	Description
Rubber Feet	2102273	Set of (4) replacement feet for legs.
Casters	2102275	Set of (4) replacement casters .
Short Caster Actuator	2102277	One short caster actuator for right rear or left front casters.
Long Caster Actuator	2102279	One long caster actuator for left rear or right front casters.
Lift Actuator	2102281	Set of (2) lift actuators.
Power Cord	2102283	Replacement power cord that plugs into wall receptacle.
Power Cord Hooks	2102285	Set of (2) Hooks on right side of LiftMate that secure the power cord.
E-Stop Interface Button	2102287	Red Button that attaches to the outside shroud. The emergency stop switch is inside the unit and is connected to the other side of this button. Kit includes (1) button.
E-Stop Switch	2102289	The switch that is mated to the E-Stop button. The kit includes (1) switch. The switch disconnects power to the lift actuators only.
Hand Pendant	2102291	Replacement hand pendant with strain relief and button graphics label attached.
Hand Pendant Hook	2102293	Hook for hanging hand pendant when not in use.
Back Cover	2102295	Sliding two piece cover that spans the gap between the platform and base.
Platform Mat	2102297	Slip resistant mat that covers the top of the platform.
Platform Bumper	2102299	Yellow rubber strip covering the front edge of the platform.
Right Outer Shroud	2102301	Right outside cover with power cord hooks and E-Stop button attached.
Left Outer Shroud	2102303	Left outside cover with E-Stop button attached.
Right Inner Shroud	2102305	Right inside cover.
Left Inner Shroud	2102307	Left inside cover.
Battery	2102309	Replaceable storage battery specifically designed for this unit.
Control Box	2102311	Control unit through which the power cord is connected and the battery is charged. The hand pendant input and the lift and caster actuator outputs are connected as well. Lift actuator synchronization and battery management is monitored through the control box.
E-Stop Wiring Harness	2102313	The wiring harness that connects to the E-Stop switches and allows power to operate the lift actuators when switches are in their normal state.
L Caster Actuator Harness	2102315	The wiring harness that brings power to the left caster actuators.
R Caster Actuator Harness	2102317	The wiring harness that brings power to the right caster actuators.
L Lift Actuator Harness	2102319	The wiring harness that brings power to the left lift actuator.
R Lift Actuator Harness	2102321	The wiring harness that brings power to the right lift actuator.
Battery Wiring Harness	2102323	The wiring harness that goes from the control box to a receptacle that the battery plugs into. Charge current to the battery and power from the battery travel through this harness.

LIMITED WARRANTY**The Brewer Company
GENERAL TERMS AND CONDITIONS**

Warranty: The Brewer Company warrants the Model 3000 LiftMate to be free from defects in parts and workmanship under normal use and service for a period of three (3) years from date of shipment. The Brewer Company will not be responsible for any Product failure due to abuse, misuse, modification or improper use or for any use which exceeds the published capacity of the Product. Products returned by prepaid freight for inspection and found defective will, at the option of The Brewer Company, be repaired or replaced at no charge, but no claim for outside labor or other charges will be allowed. Products must not be returned without proper written authorization from The Brewer Company. Requests for authorization must be in writing and accompanied by the original purchase order, The Brewer Company invoice number and a copy of the invoice for the Product. THIS WARRANTY IS EXCLUSIVE AND IN LIEU OF ALL OTHER WARRANTIES AND REMEDIES WHATSOEVER, INCLUDING BUT NOT LIMITED TO IMPLIED WARRANTIES OF MERCHANTABILITY AND/OR FITNESS FOR A PARTICULAR PURPOSE. NO AGENT, EMPLOYEE, OR REPRESENTATIVE OF THE BREWER COMPANY HAS ANY AUTHORITY TO MAKE ANY AFFIRMATION, REPRESENTATION, OR WARRANTY NOT SET FORTH IN THESE TERMS AND CONDITIONS CONCERNING ANY PRODUCTS OF THE BREWER COMPANY. THE BREWER COMPANY SHALL HAVE NO LIABILITY WHATSOEVER FOR DAMAGES CAUSED BY TRANSPORTATION, ACCIDENTS, FIRE, UNAUTHORIZED ALTERATION, OR NORMAL WEAR OR ABUSE, NOR SHALL THE BREWER COMPANY HAVE ANY LIABILITY WHATSOEVER FOR ANY INCIDENTAL OR CONSEQUENTIAL DAMAGES, including without limitation, lost profits or any such damages arising from (a) the design, manufacture, sale, delivery, installation, repair, operation or use of products of The Brewer Company or any part thereof, (b) any actual or alleged failure or defect in products of The Brewer Company or any part thereof, or (c) any actual or alleged breach or non-performance by The Brewer Company of this limited warranty.

Freight Claims: Upon receipt, merchandise should be carefully examined to ascertain that proper amount has been received in good condition. Any claim for shortage or damage must be made with delivering carrier within five (5) days from receipt of goods. We do not assume any responsibility for loss or damage in transit, and compensation for such loss must be obtained from the carrier.