

# *AIRIAL VOYAGER*

PORTABLE  
COMPRESSOR  
NEBULIZER  
MODEL: MQ5500



READ THIS INSTRUCTION  
MANUAL CAREFULLY  
BEFORE USE

**Owner's Manual**

# **AIRIAL VOYAGER**

COMPRESSOR  
NEBULIZER  
MODEL: MQ5500

## **INSTRUCTIONS**

### **INDEX**

I.	Introduction -----	Page 2
II.	Product Identification -----	Page 3
III.	Important Safeguards -----	Page 3
IV.	Operating Your Compressor Nebulizer -----	Page 4
V.	Cleaning -----	Page 5
VI.	Specifications -----	Page 7

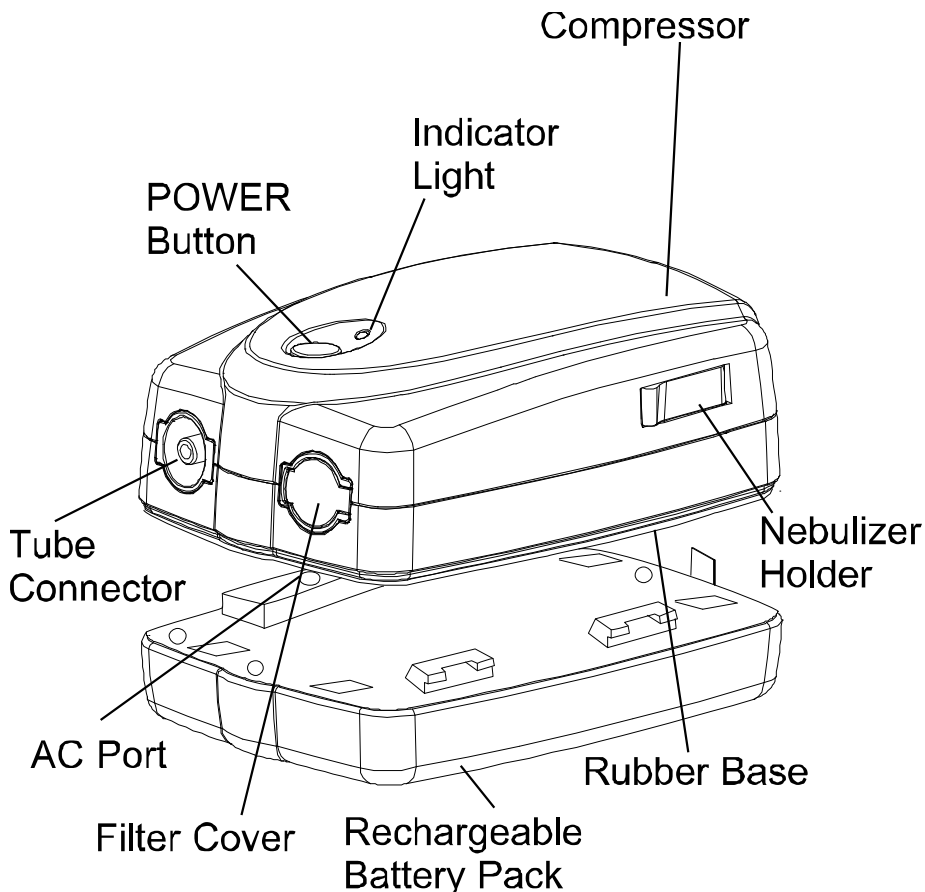
### **I. INTRODUCTION**

Thank you for purchasing the MQ5500 Portable Compressor Nebulizer. It is a compact medical device designed to efficiently deliver physician prescribed medication to the bronchial lung passages. With proper care and use, it will provide you with many years of reliable treatment.

This product is developed for the successful treatment of asthma, allergies and other respiratory disorders. It creates a stream of air that travels through a clear tube to the nebulizer. When air enters the nebulizer, it will convert the prescribed medication into aerosol mist for easy inhalation.

Your Portable Compressor Nebulizer should be used under the direction of a licensed physician and/or a respiratory therapist. We encourage you to thoroughly read this guidebook to learn about the features of this product. Any use of this product other than its intended use is not recommended.

## II. PRODUCT IDENTIFICATION



## III. IMPORTANT SAFEGUARDS

**Note:** Read all instructions carefully before use.

The following basic precautions are needed when using an electrical product:

**Caution:** Failure to read and observe all precautions could result in personal injury or equipment damage.

### Product cautions:

1. To avoid electrical shock: Keep the unit away from water. Do not immerse the power cord or the unit in liquid. Do not use while bathing. Do not reach for a unit that has fallen into water – immediately unplug the unit.
2. Never operate the unit if it has any damaged parts (including power cord), or if it has been dropped or submersed in water. Promptly send it to a service center for examination and repair.
3. The unit should not be used where flammable gas, oxygen, or aerosol spray products are being used.
4. Disconnect the unit from the electrical outlet before cleaning, filling and after each use.
5. Only use manufacturer recommended attachments.

## Operating Cautions:

1. Only connect this product to an appropriate voltage outlet for your model.
2. Do not run this product unattended.
3. Never operate the MQ5500 if it has a damaged cord or plug, or if it has been dropped into water. If for any reason this unit does not work properly, promptly return it to an authorized service center for repair.
4. If any abnormalities occur, discontinue use immediately until the unit has been examined and repaired.
5. Always unplug the product immediately after use.
6. Never block the air openings of the main unit or place it where the air openings may be obstructed.
7. This product should always be operated under close adult supervision.

## Storage Cautions:

1. Do not store the unit under direct sunlight, high temperature or humidity.
2. Keep the unit out of reach of small children.
3. Always keep the unit unplugged while not in use.

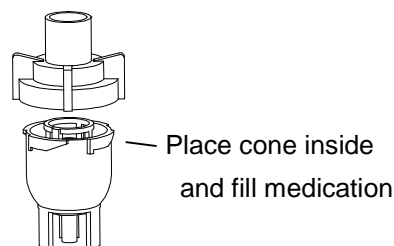
## Cleaning Cautions:

1. Do not immerse the unit in water. It may damage the unit.
2. Disconnect the unit from the electrical outlet before cleaning.
3. Clean all necessary parts after each use as instructed in this guidebook.

## IV. OPERATING YOUR COMPRESSOR NEBULIZER

**Note:** Prior to initial operation, the nebulizer should be thoroughly cleaned.

1. Place your MQ5500 Compressor Nebulizer on a flat and stable surface. Be sure that you can easily reach the controls when you are seated.
2. **Note:** Prior to initial operation, the nebulizer should be thoroughly cleaned referring to the “Cleaning Procedures” in the manual.
3. Gently twist the top part of the nebulizer counter-clockwise to disassemble the nebulizer.
4. Fill the bottom section of the nebulizer with the medication prescribed by your physician. Be sure that the cone is put inside the bottom section.
5. Gently twist the top part clockwise to reassemble the nebulizer. Be sure the two sections fit well.
6. Attach one end of air tube to the base of the nebulizer.
7. Attach mouthpiece or mask per your choice to the top section of nebulizer.



8. Your Nebulizer operates by using one of two power choices: the AC Adapter or the Battery pack.

#### **Using the AC adapter:**

- (1). Remove the battery-pack if attached, and replace with the rubber skid resistant base.
- (2). Insert the adapter plug into the unit's AC port.
- (3). Plug the adapter into a standard AC outlet.
- (4). Press power switch to begin your prescribed treatment.

#### **Using the battery pack:**

Your Portable Compressor Nebulizer can operate with the use of a rechargeable battery when AC power is not available. The life of the battery is approximately 2 years. However, battery life will vary depending on usage, storage, and charging conditions.

1. First, remove the skid resistant rubber base.
2. Install the battery pack to the bottom of the unit.
3. Press power switch to begin your prescribed treatment.

#### **Charging the battery pack:**

To charge the battery, plug the adapter into the AC Port on the Battery.

#### **Charging Time: 2 - 4 hours**

**Note:** A red battery light shows that the battery is being charged. If the light changes from red to green during charging, it indicates the battery is fully charged. Once the battery is fully charged, unplug the adapter from the battery.

## **V. CLEANING**

It is recommended that the nebulizer, mouthpiece and mask are thoroughly cleaned with hot water after each use and cleaned with a mild detergent after the last treatment of the day. If your physician or respiratory therapist specifies a different cleaning procedure, follow their instructions.

#### **Rinsing (after each treatment)**

1. Disconnect the air tube, nebulizer, mouthpiece and mask.
2. Gently twist the nebulizer to open it.
3. Rinse the nebulizer, mouthpiece and mask with water.
4. Dry them with clean soft towel or let them air dry.
5. Reassemble the nebulizer when completely dry and put these parts in a dry, sealed container.

**Cleaning Procedure:**

*(After the last treatment of the day.)*

Please utilize the following steps to thoroughly clean your nebulizer after the last treatment of the day, unless otherwise specified by your physician.

1. Prepare a solution of one part white vinegar with three parts distilled water.
2. Submerge the nebulizer, mouthpiece, and/or mask in the vinegar and water solution for (30) thirty minutes.
3. After soaking the nebulizer and components for thirty minutes in the prepared solution, completely rinse them under hot tap water.
4. Allow to air dry.
5. Reassemble the nebulizer and store the parts in a cool, dry, clean, sealed container.

**Cleaning the compressor unit:**

1. Wipe daily with a damp cloth.
2. Never use powdered cleaners or soap pads, which may damage the finish.

**Filter Replacement:**


1. Use only MQ5500 filters. Do not use cotton or any other materials. Do not wash or clean the filter. Never operate the compressor without a filter.
2. Changing procedure:
  - A. Open the filter cover
  - B. Replace the used filter with a new one.
  - C. Close the filter cover.

## VI. SPECIFICATIONS

Power	12V DC Adapter
Current	1.5 A
Battery Pack	Lithium Iron Phosphate Battery
Particle Size	0.5 to 10 um
MMAD	4 um
Sound Level	60 dBA
Medication bowl capacity	13 cc
Average Nebulization Rate	0.2ml/min
Compressor Pressure Range	30 to 36 Psi (210 to 250 KPa / 2.1 to 2.5 bar)
Operating Pressure Range	8 to 16 Psi (55 to 70 KPa / 0.5 to 0.7 bar)
Liter Flow Range	4 ~ 8 lpm
Operating Temperature Range	10°C to 40°C (50°F to 104°F)
Operating Humidity Range	10% to 90%RH
Storage Temperature Range	-25°C to 60°C (-13°F to 140°F)
Storage Humidity Range	10% to 90%RH
Dimension (L x W x H)	5-1/8" x 3-1/2" x 1-3/4" w/o battery pack; 5-1/8" x 3-1/2" x 2-1/2" with battery pack
Weight	12.5 oz w/o battery pack 1 lbs. 9 oz. with battery pack
Standard Accessories	Nebulizer, Air Tube, Mouth piece, Filters(5pcs).
Optional Accessories	Baby pacifier inhalator w/connector, Adult mask, Child mask, Carrying Bag, Rechargeable battery, Car adapter.

 **Protection against electric shock**

 **- Class II Equipment**

 **- Type BF applied parts:**  
Mouthpiece & mask.

Protection against harmful ingress of water  
- IPX0 (Ordinary)

Degree of safety in the presence of flammable anesthetics or oxygen  
- No AP/APG (Not suitable for use in the presence of flammable anesthetics or oxygen)



P.O. Box 1559 • Bluffton, SC 29910 • Tel: 843.815.5301